

RULE BOOK DISCLAIMER

The rules and/or regulations set forth herein are designed to provide for the orderly conduct of racing events and to establish minimum acceptable requirements for such events. These rules shall govern the condition of all events, and by participating in these events, all participants are deemed to have complied with these rules. **NO EXPRESSED OR IMPLIED WARRANTY OF SAFETY SHALL RESULT FROM PUBLICATIONS OF OR COMPLIANCE WITH THESE RULES AND OR REGULATIONS.** They are intended as a guide for the conduct of the sport and are in no way a guarantee against injury or death to a participant, spectator, or official.

The race director shall be empowered to permit reasonable and appropriate deviation from any of the specifications herein or impose any further restrictions that his/her opinion does not alter the minimum acceptable requirements. **NO EXPRESSED OR IMPLIED WARRANTY OF SAFETY SHALL RESULT FROM SUCH ALTERCATION OF SPECIFICATIONS.** Any interpretation or deviation of these rules is left to the discretion of the race director. Their decision is final.

The Management of The Cowley County Fair

COWLEY COUNTY FAIR ASSOCIATION

Figure 8 Rules and Regulations

Saturday, August 4, 2018 at 7:30 pm

www.cowleycountyfair.com

ENTRY RULES

1. Entry fee will be \$ 30.00 per car. Early entries must be in by 5:00 pm July 28, 2018 or will be considered late. This will admit one driver and two mechanics. Late entries will be \$ 40.00 per car and will start at the back of qualifying heats.
2. Entries will be limited to 42 cars. Entry fees must accompany all entries.
3. All cars must be in the pit area before 6:30 pm. Entrance is at the south end off of 14th street.
4. All cars will be inspected by 6:30 pm and must pass to race.
5. Cars must be removed from the grounds before 10:00 am Sunday, August 5, 2017 or will become property of COWLEY COUNTY FAIR ASSN.
6. Entry fee refunds will be made only on cars that do not pass inspection. (NO SHOW – NO REFUNDS).
7. Extra pit passes will be sold at the pit gate for \$ 25.00 each. Must be 18 years of age to enter.
8. **MISCONDUCT WILL RESULT IN BEING REMOVED FROM THE GROUNDS.**
9. No entries will be taken by telephone.
10. No entries will be taken after 5:00 pm August 2, 2018.
11. The pit area will be closed to all children and family members before and during this event and 30 minutes after the race is over.
12. Drivers and car must enter before pit crew will be allowed into the pit area.

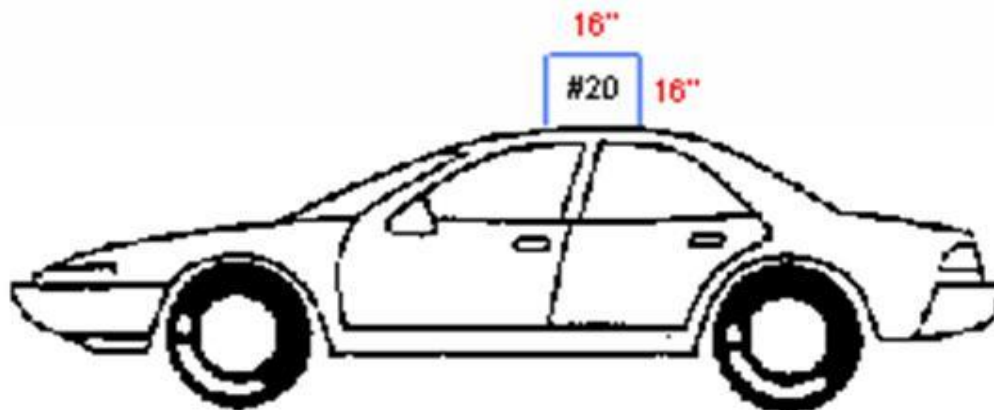
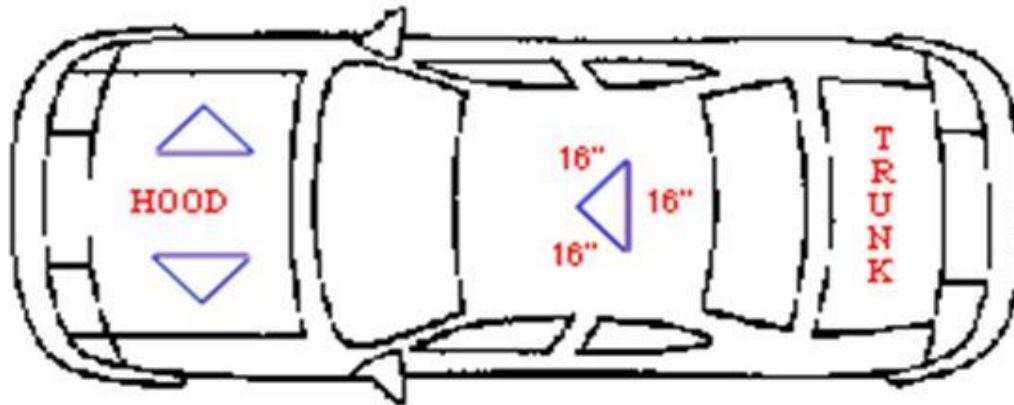
CAR PREPARATION

1. All glass and chrome must be removed before entering the grounds. All loose items must be removed from the car including items in the trunk and door panels.
2. Door and trunk lids must be welded shut or chained with a minimum 5/16" chain.

3. Hood can be chained with a minimum 5/16" chain or no more than 4, 3/4" all thread.
4. Gas tank must be removed. Gas tank is a maximum of 6 gallons and fastened securely in the rear seat area. For driver's safety, a metal tank is recommended and a metal box covering the gas tank.
5. Batteries must be moved to the front seat compartment and securely fastened.
6. Air cleaners must be left in place.
7. Driver's door reinforcement must be added. No Grader Blades.
8. Driver's compartment must have a 4-point roll cage. A minimum of 2" OD pipe may be used.
9. Holes must be cut in the hood large enough for a fire extinguisher to be used.
10. Radiator must be left in place. A support from the top of the radiator support to the roll cage only will be allowed. Electric fans can be used but must be in engine compartment.
11. All wheel and tire balancing weights must be removed. DOT approved tires only, NO tractor tires.
12. For safety reason, clean engine of oil and grease
13. For safety reason, leave firewall intact and heater cores covered.
14. All cars will be given a number upon passing inspection. The numbers will be on top of the car.
15. Wheels will not be modified. No iron welded on.
16. No numbers will be on the cars except the number given at inspection.
17. Numbers will be on a three-sided black sign 16" X 16" on the top of the car. No exceptions.
18. A piece of pipe or square tubing, no more than 4" and no longer than the frame horns can be used for a bumper, front and rear. A push bar can be welded to the bumpers but no taller than 12" and no longer than the frame horns.
19. A piece of pipe or sucker rod (maximum 1" diameter) is required from the firewall to the top of the car roof or roll bar to keep the hood from coming into the car.
20. Seatbelt and shoulder harness must be permanently mounted..
21. Drive shaft loop is required.

DRIVERS RULES

1. All drivers must be 18 years of age. All persons entering the pit area must sign a waiver releasing the COWLEY COUNTY FAIR ASSOCIATION from liability.
2. Helmets with a face shield or goggles must be worn. If a helmet or eye protection comes off or is removed during a race, driver will be disqualified from that race.
3. Seat belt and shoulder harness must be worn at all times.
4. Hail screen may be placed in the windshield area in front of the driver only.
5. Drivers will be disqualified if any door or hood comes open during that race.
6. Drivers must be present at the driver's meeting held at 7:00 pm. Roll call will be called.
7. When call goes out to be in place, drivers have two minutes to be in place or will be disqualified for that race.
8. Any car catching fire will be allowed one restart per race.
9. Any car that rolls over will be allowed one restart per race.
10. All cars must stop immediately when the red flag comes out.
11. Drivers must stay in car until the race is over, except for a fire.
12. Drivers must keep arms and hands inside of car during race.
13. Flagging will be in accordance with stock car racing, and will be explained at the drivers meeting.
14. All cars are subject to reinspection at any time.
15. All rulings by the race manager are final.
16. For safety reasons, we recommend that you wear a neck roll.
17. Jeans and long sleeve shirts are mandatory due to insurance reasons.
18. **ANY MISCONDUCT IN THE PIT AREA OR ON THE FAIRGROUND WILL BE GROUNDS FOR IMMEDIATE EJECTION.**



Prize Money and Trophies

- A Feature Winner-----\$ 1750.00
- A Feature Second-----\$ 900.00
- A Feature Third-----\$ 600.00
- A Feature Fourth-----\$ 350.00
- A Feature Fifth-----\$ 250.00
- B Feature Top 2-----\$ 20.00
- C Feature Top 2-----\$ 20.00
- D Feature Top 2-----\$ 20.00
- E Feature Top 2-----\$ 20.00
- F Feature Top 2-----\$ 20.00
- All Qualification
Heat Winners-----\$ 40.00

The Top 2 from the B, C, D, E and the F Feature will move up to the next race.